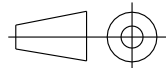
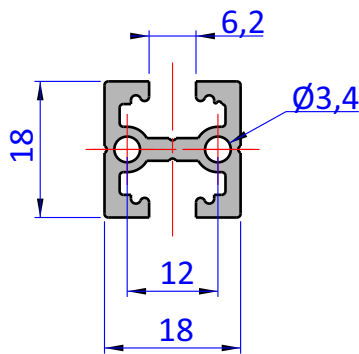
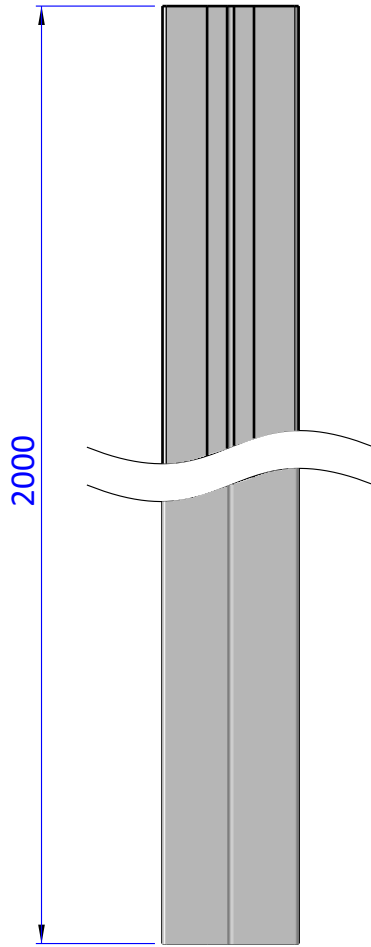


THE PROPERTY OF THE DRAWING IS ESTABLISHED BY LAW. IT IS FORBIDDEN TO PRODUCE OR SHOW IT TO THIRD PART. WITHOUT A WRITTEN AGREEMENT.

Item	Name	Q.ty
1	CA.L.1818.2000	1



DESIGNED FROM		REVIEW
FPS Automation		A
DATE	WEIGHT	
09/03/2020	0,820kg	
CODE		
CA.L.1818.2000		

Format	A4
UNI 936-76	

GENERAL TOLERANCE	DESCRIPTION
UNI - ISO 2768 CLASSE f	CA.L.1818.2000